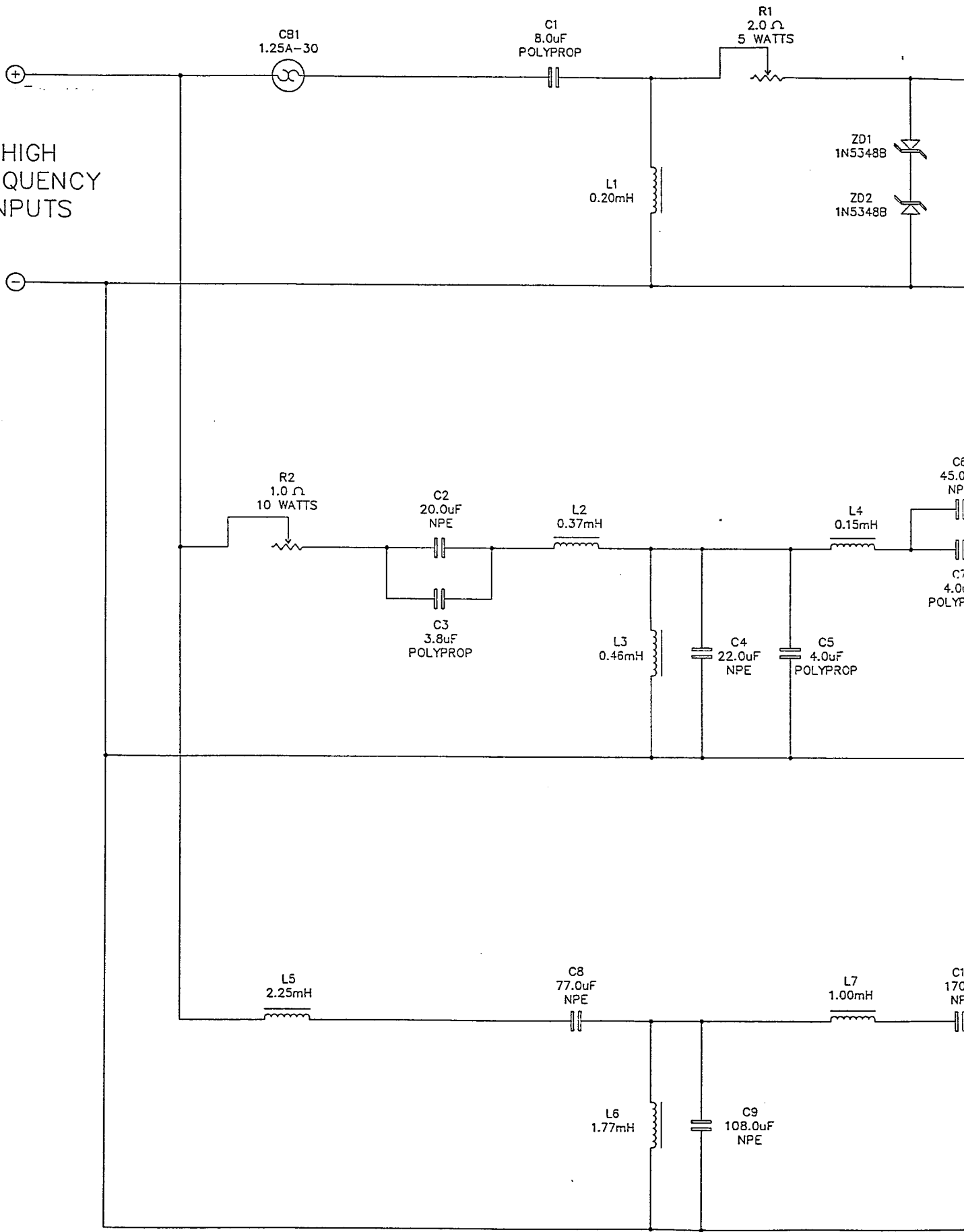


HIGH
FREQUENCY
INPUTS



REVISIONS				
ECO	REV.	DESCRIPTION	DATE	APPROVED
-	A	RELEASE FOR PRODUCTION	07-19-94	AS JI
1315	B	CHANGE TWT, MIDBASS, WOOFER WIRE LENGTHS	08-02-94	AS JI

AUG 10 1994

Bill of Material - .015...7229A
08-02-94

Inductors		Ref.	Value	Tol%	Amps ²	DCR	DQ@1k	Type	Air Gap	Material	Size
L1	0.20mH	①	5	-	.18	7.25	SLUG	-	FERRITE	6x30mm	
L2	0.37mH	①	5	-	.15	14.90	SLUG	-	IRON	10x40mm	
L3	0.46mH	①	5	-	.13	12.50	I	-	STEEL LAM	41x6x7mm	
L4	0.15mH	①	5	-	.10	9.60	SLUG	-	IRON	10x40mm	
L5	2.25mH	①	5	-	.29	19.10	I	-	STEEL LAM	57x9.5x10mm	
L6	1.77mH	①	5	-	.29	15.60	I	-	STEEL LAM	57x9.5x10mm	
L7	1.00mH	①	5	-	.18	16.10	I	-	STEEL LAM	41x6x7mm	

Capacitors		Ref.	Value	Tol%	D.F.% (Hz)	AC Volts	Type	Brand
C1	8.0uF	5	0.1	1K	100	POLYPROP	INFINITY	
C2	20.0uF	5	6.0	1K	100	NPE	-	
C3	3.8uF	5	0.1	1K	100	POLYPROP	INFINITY	
C4	22.0uF	5	6.0	1K	100	NPE	-	
C5	4.0uF	5	0.1	1K	100	POLYPROP	INFINITY	
C6	45.0uF	5	6.0	1K	100	NPE	-	
C7	4.0uF	5	0.1	1K	100	POLPROP	INFINITY	
C8	77.0uF	5	6.0	1K	100	NPE	-	
C9	108.0uF	5	6.0	1K	100	NPE	-	
C10	170.0uF	5	6.0	1K	100	NPE	-	

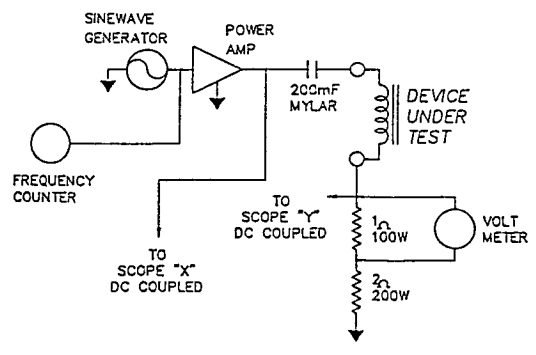
Resistors		Ref.	Value	Tol%	Watts	Type	Brand
R1	2.0	15	5	POTENTIOMETER	QBATA/VIOLET		
R2	1.0	15	10	POTENTIOMETER	QBATA/VIOLET		

Protection Devices
 CB1 1.25A-30 CIRCUIT BREAKER (QTY.1)
 ZD 1,2 1N5348B ZENER DIODES (QTY.2)

Crossover Cup: 712-5925

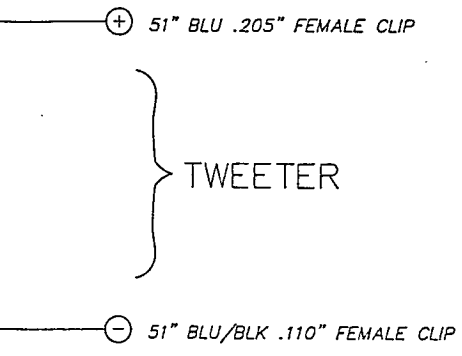
PCB: MATERIAL:CEM1; Thickness: 1.6mm; COPPER WEIGHT: 2 Oz
 WIRES: Monster Cable Special or equivalent - see left for lengths
 CLIPS: See left

- ① GenRad DigiBridge @1kHz.
- ② DC amps where inductance changes by 10%.
- ③ Tolerance applies to Inductance, DCR, and Q
- ④ Test set-up as shown:

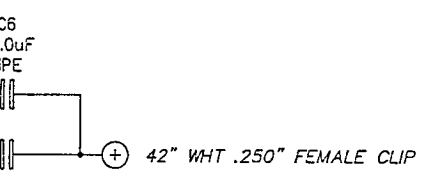


INFINITY SYSTEMS, INC. PROPRIETARY
 This document contains confidential and proprietary information that is the property of Infinity Systems, Inc. and may not be disclosed to or duplicated for others except as authorized by Infinity Systems, Inc.

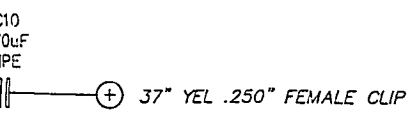
Infinity Systems Inc.	
KAPPA 9.1 & 9.2i SERIES II	
CROSSOVER SCHEMATIC	
P/N: .015...7229A/B	
DWG NO: 015-7229A/B-02055-51D	
DRAWN BY: R. RAHL	
DATE: 05-23-94	SCALE: N/A
APPROVED: AS JI 07-20-94	
CAD FILE NAME: KAPPA/SERIES 2/9-2/SCHEMA	
TOLERANCES: ANG: ± = .5° FRACT. ± = 1/32	
DECIMALS: .XX ± = .01 .XXX ± = .005	
REVISION: B	SHEET 1 OF 2



TWEETER



MIDRANGE



MIDBASS



18" ORANGE WIRE SOLDERED TO POSITIVE
 LOW-PASS TERMINAL ON INPUT CUP.
 OPPOSITE END TO CONTAIN .250" FEMALE CLIP



LOW FREQUENCY
 INPUTS



18" ORANGE/BLK WIRE SOLDERED TO NEGATIVE
 LOW-PASS TERMINAL ON INPUT CUP.
 OPPOSITE END TO CONTAIN .250" FEMALE CLIP

